





世邦興業股份有限公司
STANNY MACHINE TOOLS CO., LTD.

43750 台中縣大甲鎮東安路108-12號
No. 108-12, Tung An Rd. Ta Chia Chen
Taichung Hsien, Taiwan.
TEL:886-4-26710805 FAX:886-4-26710807
Http://www.stanny-tool.com
E-mail:stanny88@ms45.hinet.net

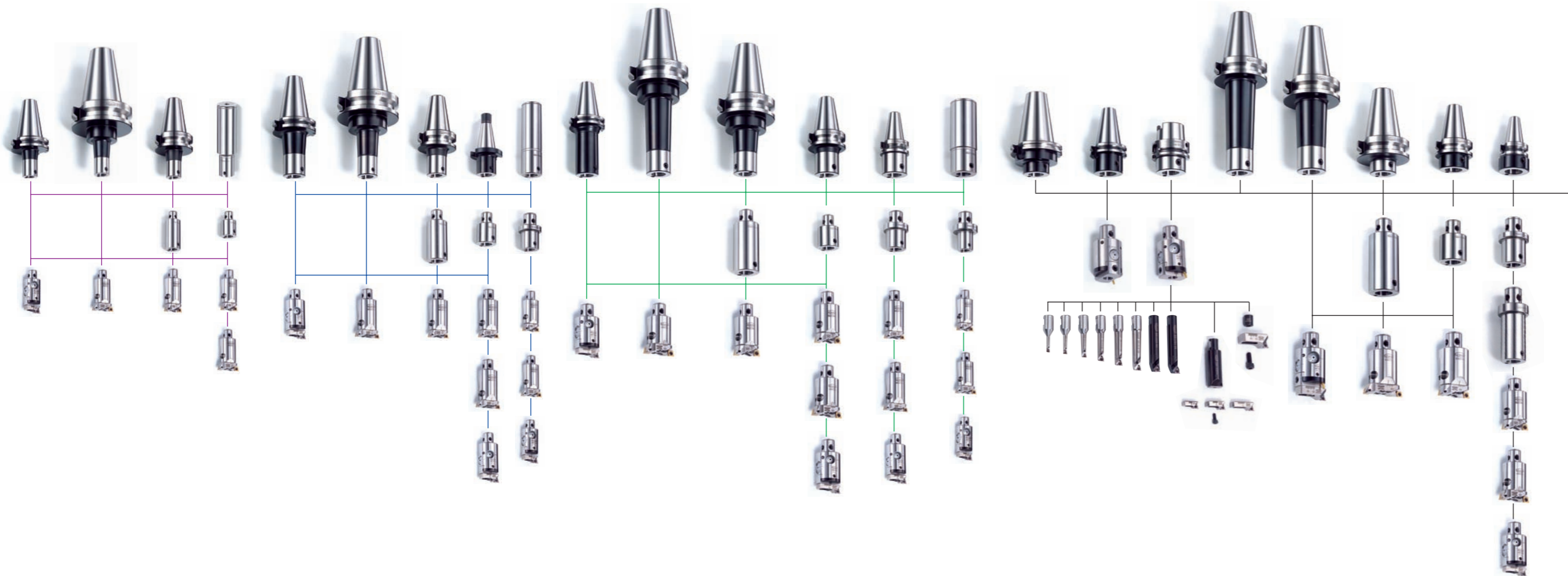


目次 Index

- | | |
|-------|--|
| 7~13 | 搪孔刀柄
Taper Shank for Boring System |
| 15~22 | 雙刃粗搪孔刀系統
Adjustable Twin Cutter Roughing and Semi-Finishing Boring System |
| 25~34 | 極細微調精搪孔刀系統
Micro-Finishing Cutter Fine Boring System |
| 35~37 | 小徑精搪孔系統
Small Diameter Boring System |
| 38~42 | 大孔徑搪孔刀組合系統
Large Diameter Boring System |
| 43~46 | 微調精搪孔系統
Boring System |



Stanny 搪孔組合系統
Modular Boring System



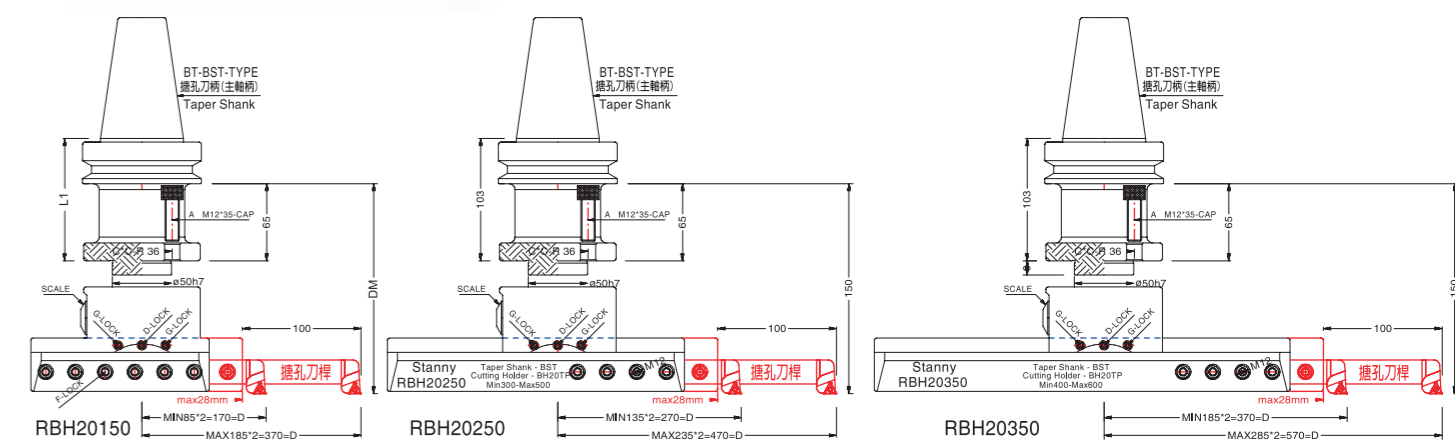
- 雙刃粗搪孔刀有**H•BIT**系統，加工直徑從**ø29~ø170**
- 極細微調精搪孔刀有**H•BOR**系統，加工直徑從**ø29~ø150**
- 極細微調精搪孔刀有**H•BOR25P**系統，加工直徑從**ø2~ø6**
- 極細微調精搪孔刀有**H•BOR32P**系統，加工直徑從**ø2~ø8**
- 極細微調精搪孔刀有**H•BOR40P**系統，加工直徑從**ø2~ø8**
- 極細微調精搪孔刀有**H•BOR50**系統，加工直徑從**ø6~ø90**
- 極細微調精搪孔刀有**H•BOR63**系統，加工直徑從**ø6~ø150**
- 大孔徑粗搪孔刀有**B•BIT**系統，加工直徑從**ø160~ø490**
- 大孔徑精搪孔刀有**B•BOR**系統，加工直徑從**ø150~ø497**
- 小徑精搪孔刀有**H•NBJ16**系統，加工直徑從**ø6~ø51**

- "H•BIT" is the series for adjustable twin-cutter roughing and semi-finishing boring system, in which diameter ranges from ø29 to ø170.
- "H•BOR" is the series for micro-finishing cutter fine boring system, in which diameter size ranges from ø29 to ø150.
- "H•BOR25P" is a set that refers to micro-finishing cutter fine boring system in which diameter size ranges from ø2 to ø6.
- "H•BOR32P" is a set that refers to micro-finishing cutter fine boring system in which diameter size ranges from ø2 to ø8.
- "H•BOR40P" is a set that refers to micro-finishing cutter fine boring system in which diameter size ranges from ø2 to ø8.
- "H•BOR50" is a set that refers to micro-finishing cutter fine boring system in which diameter size ranges from ø6 to ø90.
- "H•BOR63" is a set that refers to micro-finishing cutter fine boring system in which diameter size ranges from ø6 to ø150.

- boring system in which diameter size ranges from ø6 to ø90.
- "H•BOR63" is a set that refers to micro-finishing cutter fine boring system in which diameter size ranges from ø6 to ø150.
- "B•BIT" is the series for large diameter adjustable twin-cutter roughing and semi-finishing boring system, in which diameter ranges from ø160 to ø490.
- "B•BOR" is the series for large diameter finishing cutter fine boring system, in which diameter size ranges from ø150 to ø497.
- "H•NBJ16" is a set that refers to small diameter boring system in which diameter size ranges from ø6 to ø51.

BST-RBH 微調精搪孔系統
Boring System

搪孔刀柄 Taper Shank
精搪孔刀本體 Body
精搪孔刀桿 Cutting Bar



BST-RBH微調精搪孔系統 – 搪孔刀柄
BST Taper Shank for RBH Boring System

訂貨編號 Order No.	規格 Model	L1	搪孔深度 DM	淨重 N.W.
20811510	BT50-BST100	100	150	5.75
20811515	BT50-BST150	150	200	6.75
20811520	BT50-BST200	200	250	7.75
20811525	BT50-BST250	250	300	8.75

RBH微調精搪孔系統 – 精搪孔刀本體
Body for RBH Boring System

訂貨編號 Order No.	規格 Model	範圍 Boring Range øDmin-øDmax	滑座外徑 Body Diameter	刀徑 Cutting Bar	扳手 Wrench	搪孔刀柄 Taper Shank	淨重 N.W.
20870080	RBH20150	170-370	ø150	□20	○4 ○6	BST	4.88
20880080	RBH20250	270-470	ø250	□20	○4 ○6	BST	5.90
20890080	RBH20350	370-570	ø350	□20	○4 ○6	BST	7.35

RBH微調精搪孔系統 – 精搪孔刀桿
Cutting Bar for RBH Boring System

訂貨編號 Order No.	規格 Model	刀徑 Cutting Bar	刀片 Insert	螺絲 Bolt	扳手 Wrench	淨重 N.W.
20020150	BH20TP	□20	TPGH1103.L	SB-3TR-M3	T8	0.45

